

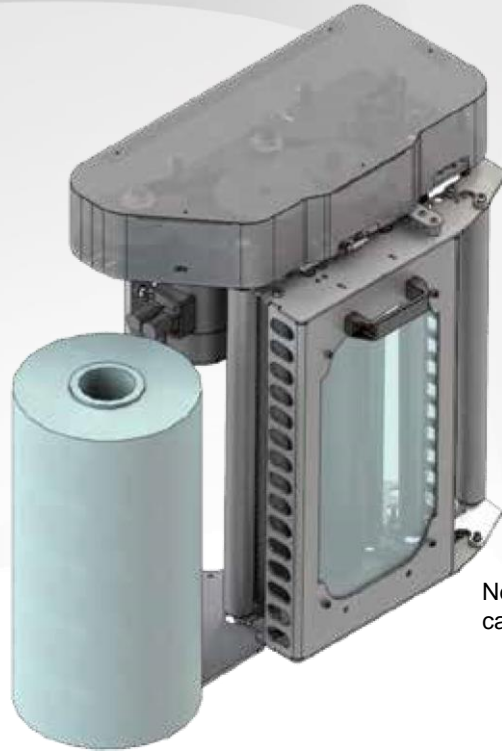


SIAT

M. J. MAILLIS GROUP

Automatic Wrapping

Mancon
RA-Range
WS-Range
MFP - MFB
AVO ORB
AVO-T



New VIKING carriage

RA RANGE



MANCON



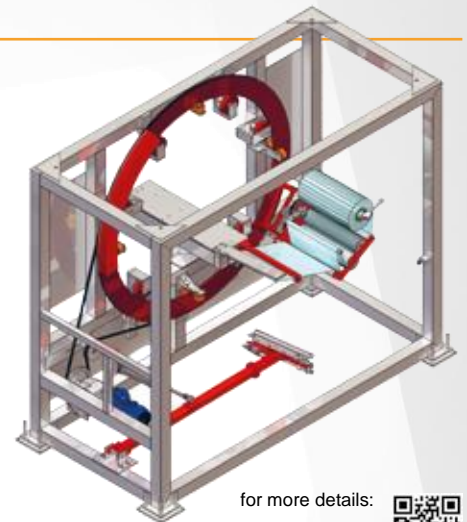
AVO ORB



AVO-ORB

The AVO/ORB model is an automatic orbital rotating ring wrapping machine.

It is ideal to be integrated into fully automatic lines with conveyors. The machine wraps small and big packages in spiroidal pattern. The pre-stretch ratio is electronically adjustable from 0 to 300%. Adjustable film overlapping and reinforcement at specific points of the package are just some of the functions of this machine. It can also be equipped with two pressure units to hold light loads during the wrapping cycle.



for more details:

